

100% Money Back
Guarantee

Vendor:Cisco

Exam Code:300-160

Exam Name:Designing Cisco Data Center Computing

Version:Demo

QUESTION 1

Instructions

- THIS TASK DOES NOT REQUIRE DEVICE CONFIGURATION.
- To access the multiple-choice questions, click on the numbered boxes on the left of the top panel.
- There are four multiple-choice questions with this task. Be sure to answer all four questions before selecting the Next button.

Scenario

While using the Microsoft Assessment and planning toolkit to design a new design you come up with these results from the tool.

Answer the following questions from the content provided.

Metrics Summary				
	A	B		
1	Placement Metrics Summary			
	This report provides aggregates of normalized performance metrics used in several consolidation scenarios. The average, maximum and 95th percentile values for CPU utilization, memory, disk IOPS, network utilization and storage are shown in this report. For more information, see the "How it works" worksheet for details on how the data is normalized.			
2				
3				
4	Machine Name	Average CPU Utilization (%)	Maximum CPU Utilization (%)	95th Percentile (%)
5	POM-6P7P-02.CONTOSO.COM	0.15	1.31	0.87
6	POM-3HVE-VP07-1.WA.USA.CONTOSO.COM	3.3	6.82	4.66
7	POM-6H8C-HV2-2.CONTOSO.COM	13.31	14.18	13.91
8	pom-3h3e-vs05-1.USA.CONTOSO.COM	52.31	56.21	53.74
9	pom-6pxp-01.USA.CONTOSO.COM	0.12	1.45	0.57
10	pom-3sqlm01-02.CONTOSO.COM	0.56	2.07	0.55
11	POM-IP8I-2.WA.USA.CONTOSO.COM	1.03	24.65	0.36
12	POM-3P8E-01.WA.USA.CONTOSO.COM	0.54	2.76	0.64
13	POM-3SQL08XM-01.CONTOSO.COM	0.14	1.22	0.83
14	pom-3p3e-01.WA.USA.CONTOSO.COM	0.18	1.38	1.17
	pom-3pxp-	1.09	9.01	3.22

While using the Microsoft Assessment and planning toolkit, please answer the following question. Highest Maximum CPU Utilization?

- A. 10%
- B. 24%
- C. 56%
- D. 100%
- E. 138%

Correct Answer: C

QUESTION 2

What is the default CoS value for FCoE packets on a storage VDC?

- A. 1
- B. 2
- C. 3
- D. 5
- E. 7

Correct Answer: C

QUESTION 3

Which two resources can be VDC-dedicated resources? (Choose two.)

- A. QoS hardware queues
- B. physical interfaces
- C. A table spaces
- D. fabric modules
- E. management interfaces

Correct Answer: BE

QUESTION 4

The ANSI restriction that only 239 Fibre Channel domains are allowed per SAN fabric creates challenges for the designer working on a Cisco Data Center Unified Fabric network. Which two approaches can the designer utilize to restrict the number of Fibre Channel domains below 239? (Choose two.)

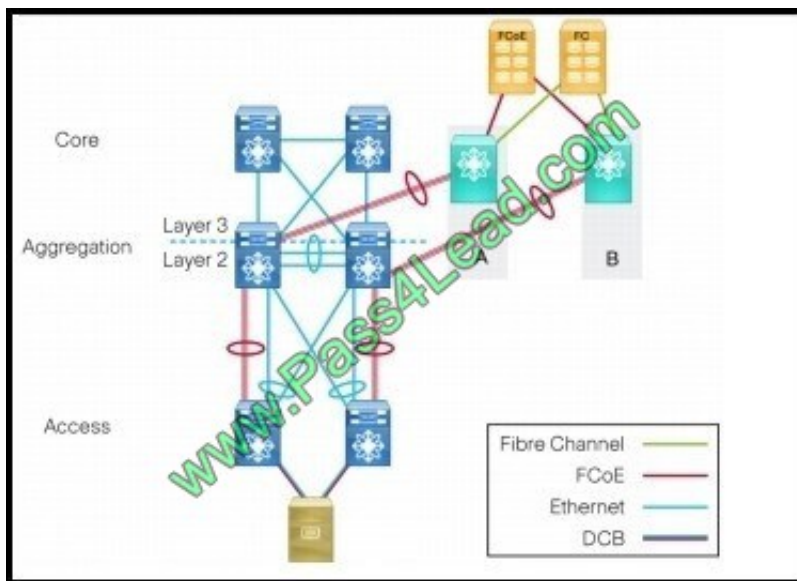
- A. Daisy chain up to 100 core Fibre Channel switches, leaving 139 domains for the network edge.

- B. Assign a domain ID for each blade switch and top-of-rack access layer switch.
- C. Use NPV to cause a fabric or blade switch to appear as a host to the core Fibre Channel switch.
- D. Migrate to FCoE to eliminate the need for Fibre Channel domains.
- E. Utilize VSANs to allow scaling well beyond 239 domain IDs.

Correct Answer: CE

QUESTION 5

Refer to the exhibit.



Customer would like to utilize Cisco Nexus7000 series switches as converged Ethernet aggregation and SAN core switch in their new data center design. The switch can be connected to a Cisco MDS 9500 Series switch in a three-tier edge-core-edge SAN design as shown in the exhibit. Which technology makes this type of design possible?

- A. FC forwarding
- B. Multi-hop FCoE
- C. iSCSI gateway to increase network bandwidth
- D. vPC+
- E. NAS gateway at the aggregation layer

Correct Answer: B

QUESTION 6

You have designed a Cisco UCS Solution, and each Cisco UCS 6248UP Fabric Interconnect has these connections: 4 x Cisco UCS Chassis each with 4 x 10 Gb links per Fabric

4 x 10 Gb Unified Port Channel to the upstream Nexus switch

How many additional Fabric Interconnect port licenses are required?

- A. 16
- B. 0
- C. 20
- D. 4
- E. 40

Correct Answer: A

QUESTION 7

Instructions

- THIS TASK DOES NOT REQUIRE DEVICE CONFIGURATION.
- To access the multiple-choice questions, click on the numbered boxes on the left of the top panel.
- There are two multiple-choice questions with this task. Be sure to answer all four questions before selecting the Next button.

Scenario

Based on the topology drawing, demonstrate your understanding of the 3-layer Data Center design model.

Exhibit1

The diagram illustrates a 3-layer Data Center design model. It is divided into three horizontal layers: Access (top, red background), Aggregation (middle, blue background), and Core (bottom, green background). In the Access layer, there are three groups of four blue server icons. Each group is connected to a single red and blue switch icon in the Aggregation layer. These three switches are interconnected in a mesh topology. Two additional red and blue switch icons are located in the Core layer, connected to the Aggregation layer switches. A large green watermark 'www.Pass4Lead.com' is overlaid on the diagram.

Select two items that represent features of the Aggregation layer in the Data Center 3-layer design. (Choose two)

- A. High-speed Layer 3 switching
- B. First-Hop Routing Protocols
- C. Demarcation point between static and dynamic routing protocols

D. QoS Marking

E. Q 802.1X

Correct Answer: AB

QUESTION 8

Which two FEX topologies trade deterministic bandwidth for server-link stability during FEX uplink failure? (Choose two.)

A. port channel

B. static pinning

C. virtual port channel

D. dynamic pinning

E. Equal-Cost Multipath

F. RPVST

Correct Answer: AC

QUESTION 9

DRAG DROP Drag and drop the feature descriptions from the left onto the correct types of VDCs on the right

Select and Place:

<p>By default, all of the ports on the switch are assigned to this VDC.</p>	<p>Default VDC</p> <div style="background-color: #d9ead3; height: 25px; margin-bottom: 5px;"></div> <div style="background-color: #d9ead3; height: 25px; margin-bottom: 5px;"></div>
<p>This VDC can be accessed only via the Console or Management ports on the Supervisor modules.</p>	<p>Admin VDC</p> <div style="background-color: #d9ead3; height: 25px; margin-bottom: 5px;"></div> <div style="background-color: #d9ead3; height: 25px; margin-bottom: 5px;"></div>
<p>Only mgrnt0 can be allocated to this VDC.</p>	
<p>This VDC can handle user traffic.</p>	

Correct Answer:

Default VDC

By default, all of the ports on the switch are assigned to this VDC.

This VDC can be accessed only via the Console or Management ports on the Supervisor modules.

Admin VDC

Only mgrnt0 can be allocated to this VDC.

This VDC can handle user traffic.

QUESTION 10

You plan to extend the Layer 2 domain by using OTV in multicast mode. What must you consider?

- A. The same site ID must be used on all of the edge devices on all of the sites.
- B. The join interface must run IGMPv3
- C. The OTV site VLAN must be extended over the overlay.
- D. The site OTV VLAN must be the same on all of the AED routers on all of the sites.

Correct Answer: B

QUESTION 11

Which two actions are performed at the aggregation layer? (Choose two.)

- A. route summarization
- B. fast convergence
- C. packet filtering
- D. traffic classification
- E. port security

Correct Answer: AB

QUESTION 12

Which appliance port is connected to a Cisco UCS?

- A. Nexus port

B. Fibre Channel storage

C. Catalyst switch port

D. NFS storage

Correct Answer: D

To Read the [Whole Q&As](#), please purchase the [Complete Version](#) from [Our website](#).

Try our product !

100% Guaranteed Success

100% Money Back Guarantee

365 Days Free Update

Instant Download After Purchase

24x7 Customer Support

Average **99.9%** Success Rate

More than **800,000** Satisfied Customers Worldwide

Multi-Platform capabilities - **Windows, Mac, Android, iPhone, iPod, iPad, Kindle**

Need Help

Please provide as much detail as possible so we can best assist you.

To update a previously submitted ticket:



 <p>One Year Free Update Free update is available within One Year after your purchase. After One Year, you will get 50% discounts for updating. And we are proud to boast a 24/7 efficient Customer Support system via Email.</p>	 <p>Money Back Guarantee To ensure that you are spending on quality products, we provide 100% money back guarantee for 30 days from the date of purchase.</p>	 <p>Security & Privacy We respect customer privacy. We use McAfee's security service to provide you with utmost security for your personal information & peace of mind.</p>
---	---	--

Any charges made through this site will appear as Global Simulators Limited.

All trademarks are the property of their respective owners.